



CLONING CART
MOUNTING INSTRUCTIONS



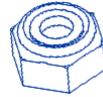
This Box Includes:



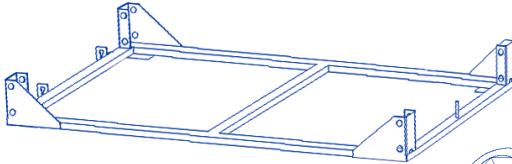
2 x Swivel casters



2 x Casters



16 x Lock nuts



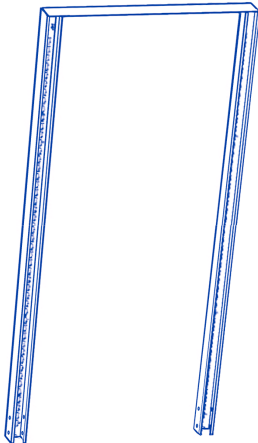
1 x Base



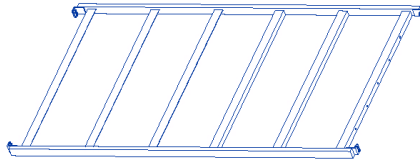
8 x Mounting bolts
(for Step 2)



8 x Mounting nuts
(for Step 2)



2 x U-shaped frames



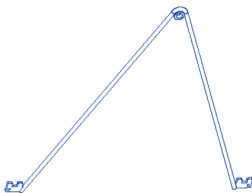
1 x Top level



4 x Mounting bolts
(for Step 3)



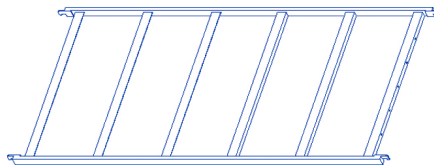
4 x Mounting nuts
(for Step 3)



1 x Hitch-and-pin arm



1 x Cotter pin



4 x Adjustable levels

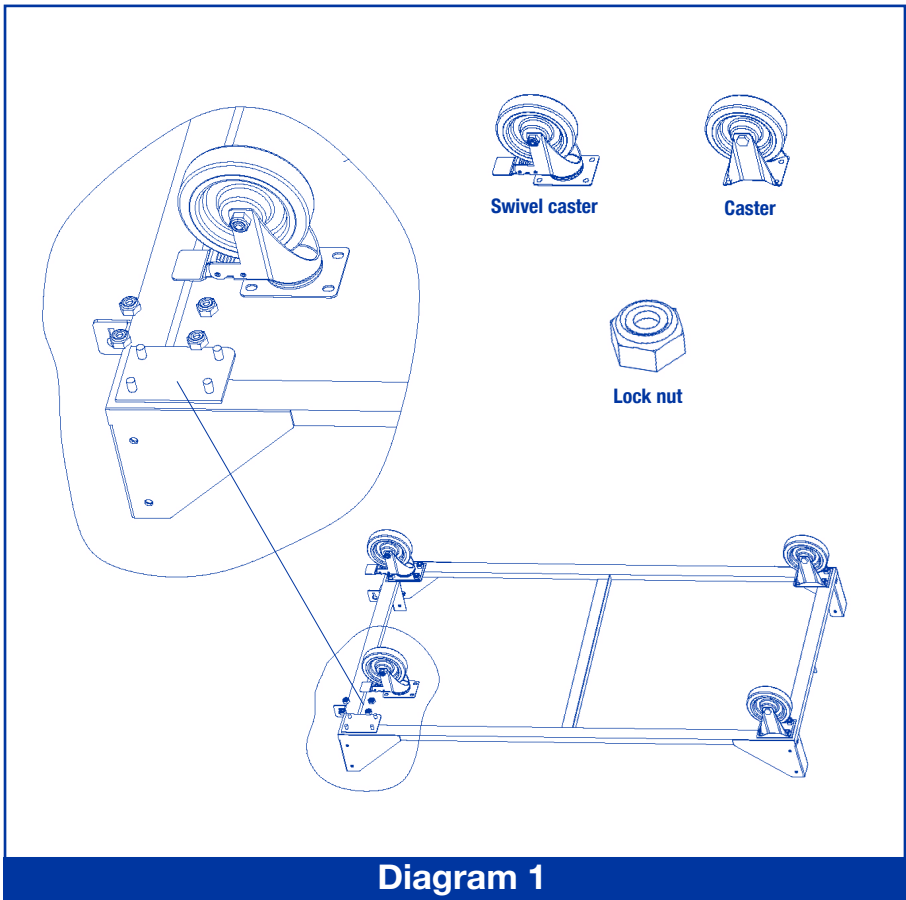


Diagram 1

Step 1 – Mount the transport casters to the base.

Refer to Diagram 1 for correct placement.

Beginning with the two swivel casters, place them on the pre-installed bolts at the front end of the cloning cart near the hitch-and-pin mounts. Place the remaining two casters on the rear of the cart, opposite the swivel casters.

Install one of the included lock nuts on each of the protruding bolts. Tighten all nuts with equal tension until they are snug. Do not overtighten.

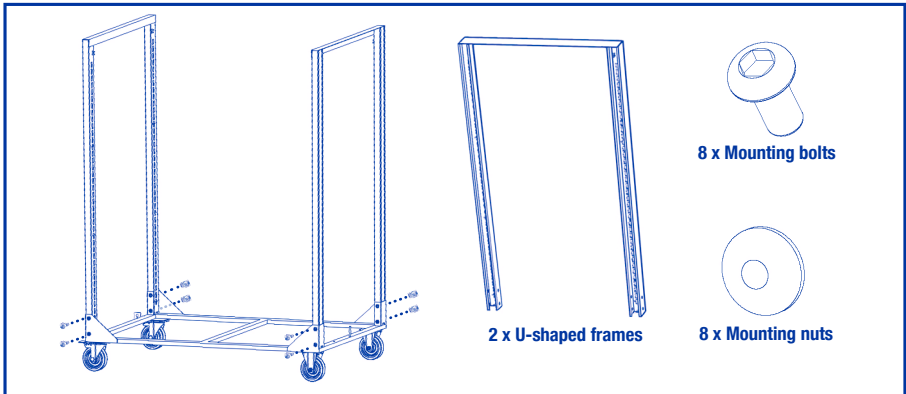


Diagram 2

Step 2 – Mount the frame to the base.

Refer to Diagram 2 for correct placement.

Turn the cloning cart's base over so that the base now rests on the installed casters.

Slide one of the u-shaped frames into the frame support mounts at the front of the cloning cart. Position the second u-shaped frame in the same manner at the rear of the cloning cart.

Install the included M6 mounting bolts and nuts through the 4 pre-drilled holes on each of the frame support mounts. Tighten all nuts with equal tension until they are snug. Do not overtighten.

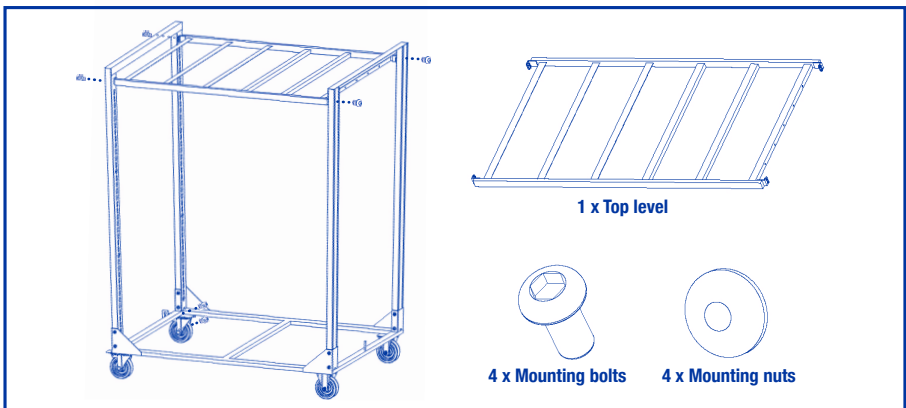


Diagram 3

Step 3 – Mount the top to the frame.

With the flush side facing down, position the top' mounting holes in line with the 2 pre-drilled holes at the top of each u-shaped frame support.

Slide the included M6 mounting bolts through the frame holes and into the top mounting holes.

Install the nuts onto the mounting bolts. Tighten all nuts with equal tension until they are snug. Do not overtighten.

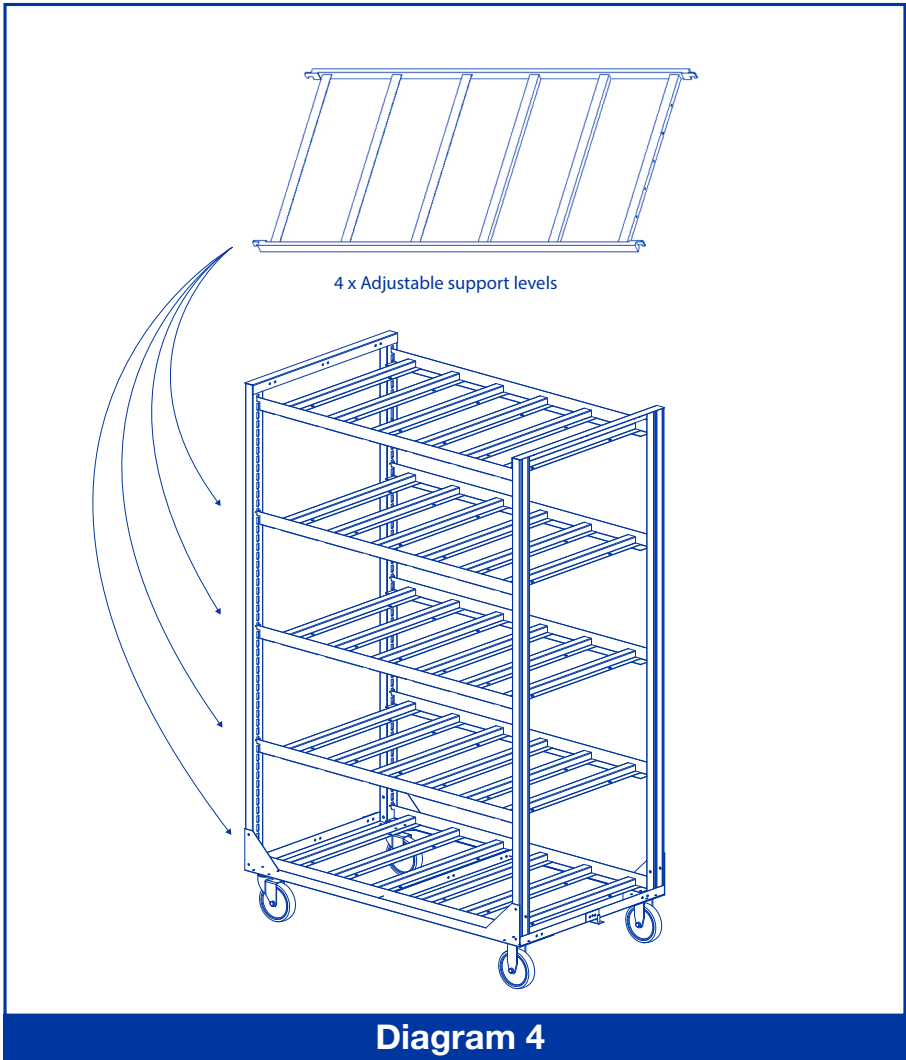


Diagram 4

Step 4 – Mount the adjustable support levels.

With the flush side facing down, install the adjustable support levels at the desired height by sliding the support levels hooked end into the slotted cart mount hole of the frame.

Be certain to double check the chosen cart mount holes are all of the same vertical height and the installed supports are level.

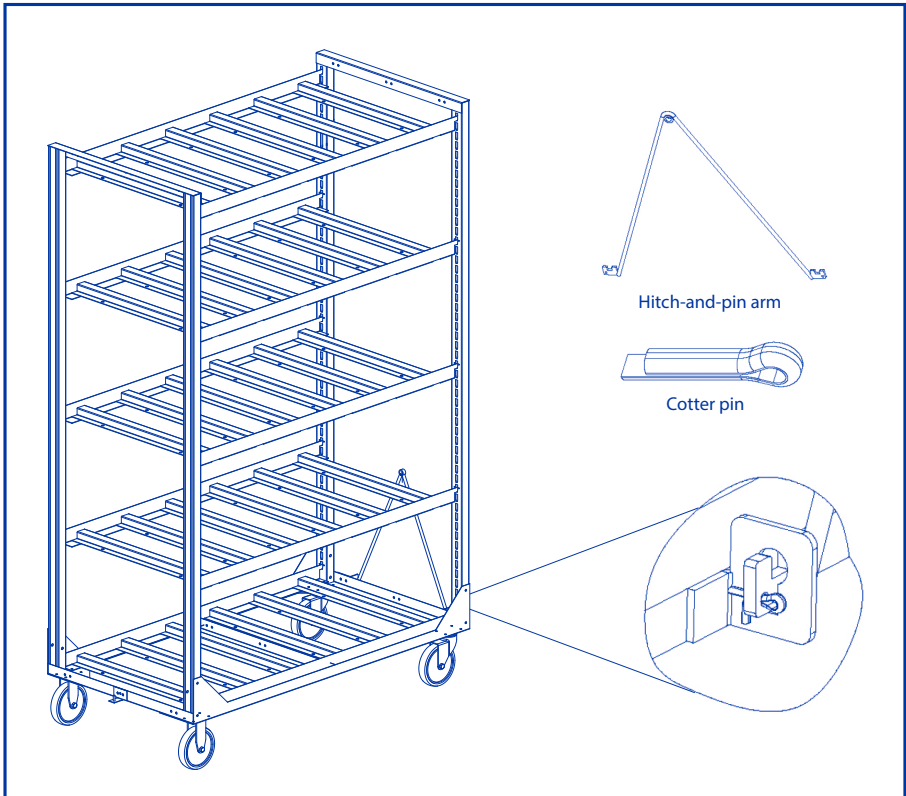


Diagram 5

Step 5 – Install the hitch-and-pin arm.

Locate the mounting brackets for the hitch-and-pin arm at the front of the cloning cart's base, between the two swivel casters. With the arm centered between the two brackets, insert one end of the arm through the rectangular hole on a mounting bracket.

Insert the opposite end of the arm through the rectangular hole of the second mounting bracket. You will need to apply some slight pressure to the second arm in order to reduce the width and align the arm with the mounting bracket hole. Once released, the arm will return to its original width.

With both ends of the hitch-and-pin arm installed, the arm should easily pivot up and down. After verifying the movement, locate the pre-drilled mounting holes at each end of the arm and insert one of the included cotter pins through each hole.

Bend each of the cotter pin lines in opposite directions to secure the hitch-and-pin arm to the cloning cart.